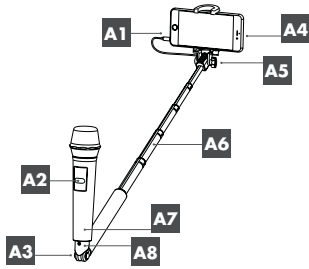
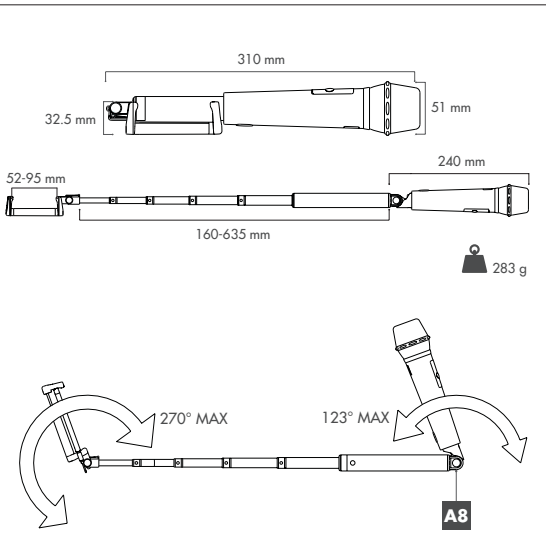


# A



# B



## EN Sing-a-long selfie stick

The Sing-a-long selfie stick integrates microphone and earphones with a telescopic Selfie Stick. Great for making Karaoke Video, Personal Videos and Blogs

### A Parts for Operation

- A1** - 3.5mm audio
- A2** - Selfie button
- A3** - Headphone jack line
- A4** - Phone (not included)
- A5** - Phone holder
- A6** - Aluminium alloy pipe
- A7** - Selfie button
- A8** - Microphone position adjustment button
- A9** - Microphone
- A10** - Phone clamp
- A11** - Phone holder lock knob

### B Specification

Sensitivity Range	-38±3dB RL=2.2Vs=3.0V(1kHz 0dB=1V/Pa)
Impedance	Max. 2.2 ohm
Frequency	3.0-16000Hz
Current Consumption	Max. 0.5mA
Operation Voltage Range	1.0V-1.0V
Max. Sound Pressure Level	110dB S,PL
S/N Ratio	More than 58dB
Sensitivity Reduction	15V-30V Sensitivity Variation less than 3dB
<b>Dimensions</b>	
Length	310mm
Width of holder	32.5mm
Diameter of microphone	51mm
Clamp Extension	52-95mm
Length of extension	160-635mm
Length of Microphone	240mm
Rotation angle of the clamp	270°
Rotation angle of the microphone	123°

### C Steps of use

- Hold the microphone **A9** and phone holder **A5** in each hand. Loosen phone holder lock knob **A11**, rotate phone clamp 90°.
- Slip the Aluminum Alloy Pipe **A6** and adjust the microphone to suitable angle.
- Open your karaoke app or turn on your camera.
- Adjust and lock the phone holder **A5** angle lock.
  - C1** Plug headphones into the microphone's headset jack.
  - C2** Connect the headset plug to your phone.
  - C3** Lock the knob pole.

- Pull out the headset plug and connect to your phone's headset jack.
  - C4** Connect the headset plug to your phone.
  - C5** Plug headphone into the microphone's headset jack.
- Enjoying Singing.
- Use the microphone adjustment button **A8** to reposition the microphone in line with the monopod.
- When finished, unplug the headset from the phone's headset jack and let the plug retract back inside the clamp.
  - C6** Unplug from the headset jack.
- Slide the monopod back inside the microphone's aluminium tube.



- In order to get the best use out of your microphone monopod, please read all of the instructions carefully before use.
- Not suitable for Children under the age of 6 due to small parts and size of monopod.
- Do not use the Microphone Monopod whilst charging your phone.
- The microphone monopod should only be used for the specified uses: as a selfie stick, with a karaoke app, as an accessory for bloggers and for personal videos.
- Check the volume before use. Over use of the headset with the volume turned up can damage your ears.
- To prevent possible hearing damage, do not listen at high volume levels for long periods.



Processing of electric and electronic equipment at the end of their service life (applicable in member countries of the European Union and other European countries operating a selective waste collection system). This symbol, affixed to the product or its packaging, indicates that the product must not be processed with household waste. It must be brought to an electric and electronic waste collection point for recycling and disposal. By ensuring the appropriate disposal of this product you also help in preventing potentially negative consequences for the environment and human health. The recycling of materials helps preserve our natural resources. For further information regarding the recycling of this product, please contact your municipality, local waste disposal center or the store where the product was purchased.



Attention:

Mobile phone operating Systems vary. Android users will hear the accompaniment, whereas iPhone users will hear both the accompaniment and their own voice.